

www.styropactor.com



# KBM STYROPACTOR

A 20' container full of 300 fishboxes:

Before



After



To compact boxes and packagings  
made of EPS (styrofoam) - e.g. fishboxes.



KBM APS  
DK 3400 HILLERØD  
TLF.+45 4826 8090  
Homepage: [www.kbm.dk](http://www.kbm.dk)

VØLUNDSVEJ 13  
DENMARK  
FAX.+45 4826 8016  
e-mail: [kbm@kbm.dk](mailto:kbm@kbm.dk)



## Styropactor technical specifications:

Type	MICRO 1-phase	MINI 1-phase	MINI 3-phase	MAXI
Capacity	15-20 kg/h 33-44 lbs/h	15-20 kg/h 33-44 lbs/h	35-45 kg/h 77-99 lbs/h	70-90 kg/h 154-198 lbs/h
Capacity Measured in fish boxes with lids (650 gram per piece)	23-30 boxes/h	23-30 boxes/h	50-60 boxes/h	100-120 boxes/h
Wet boxes	YES	YES	YES	YES
Non-corrosive	YES	YES	YES	YES
Mobile (on wheels)	YES	YES	YES	YES
Density (after compaction)	125-200 kg/m <sup>3</sup> 8-13 lbs/CuFt	125-200 kg/m <sup>3</sup> 8-13 lbs/CuFt	175-250 kg/m <sup>3</sup> 11-16 lbs/CuFt	175-250 kg/m <sup>3</sup> 11-16 lbs/CuFt
Electrical (can be delivered with other voltages)	1,5kW 1-phase 220-240 V 50-60 Hz	1,5kW 1-phase 220-240 V 50-60 Hz	4,0kW 3-phase 400V / 50Hz or 480V / 60Hz	7,5kW 3-phase 400V / 50Hz or 480V / 60Hz
Inlet opening	400x500 mm 15.7"x19.7"	400x780 mm 15.7"x30.7"	400x780 mm 15.7"x30.7"	600x1000 mm 23.6"x39.3"
Length	1650mm / 65"	1950mm / 77"	2550mm / 100"	3350mm / 132"
Height	1600mm / 63"	1600mm / 63"	1600mm / 63"	1600mm / 63"
Width	630mm / 25"	630mm / 25"	630mm / 25"	870mm / 34"

Subject to alterations.



Styropactor MINI as crusher filling a plastic bag.



Styropactor MINI 1-PHASE with compacted pieces stacked on a pallet.

► The compactors STYROPACTOR MICRO, MINI and MAXI reduce the volume of EPS parts approx. 20-30 times **WITH DRY AND WET MATERIAL (ALSO FISH BOXES)**.

► The STYROPACTORS are made **non-corrosive** and can be used in a rough environment.

► The STYROPACTORS can **also be used as crusher** where the EPS material is filled into bags. To change takes 5 minutes.

► The STYROPACTORS can without any changes **be used for collection in bags of any size** or without bags.

► The STYROPACTORS are filled vertically. Consequently **pieces of any length can be introduced**.

► The STYROPACTORS are **"mobile"** and can be used in any fish processing industry, supermarket, department store etc. where EPS packagings appear.

► The STYROPACTORS **reduce the transportation costs drastically**.



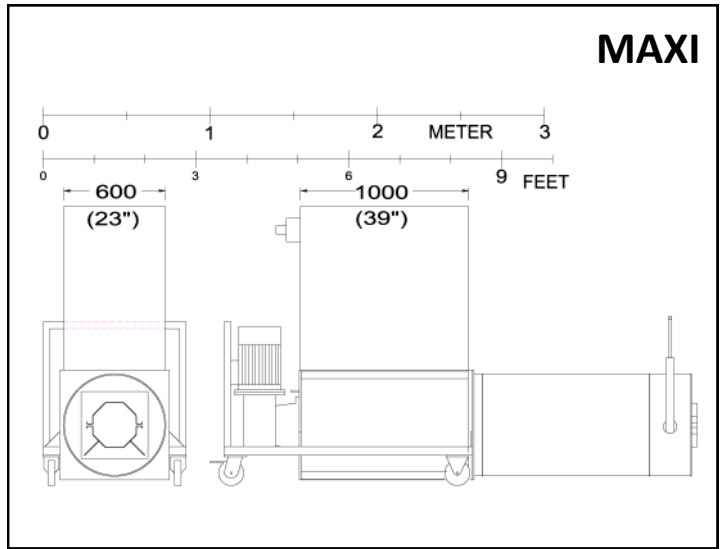
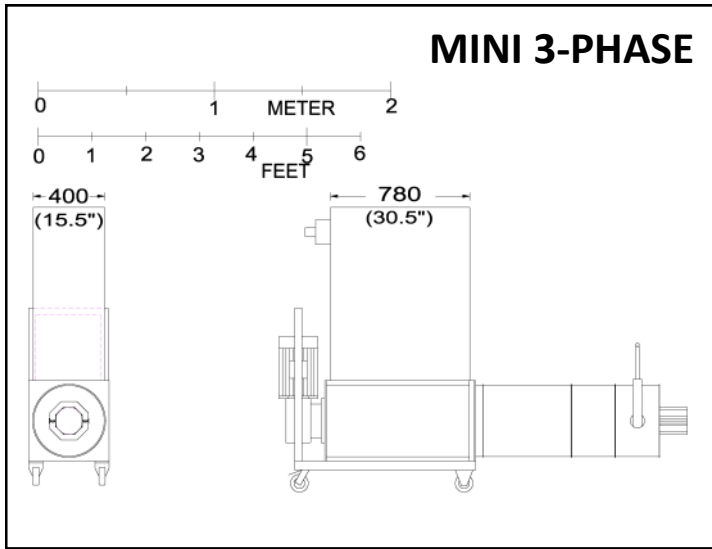
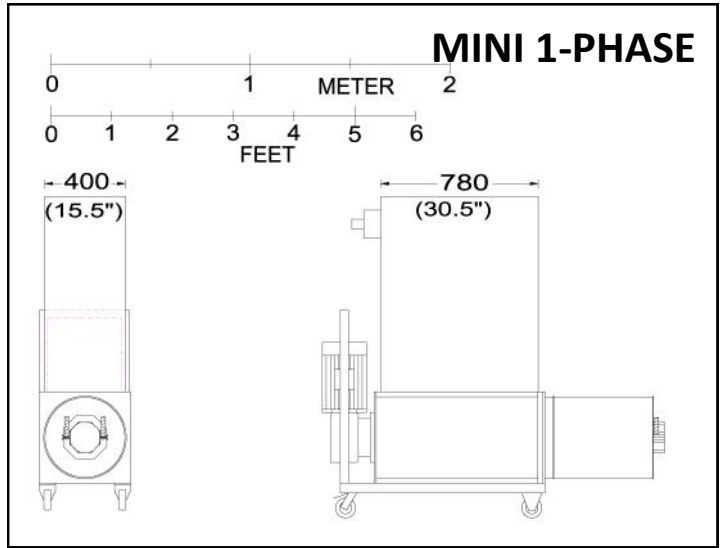
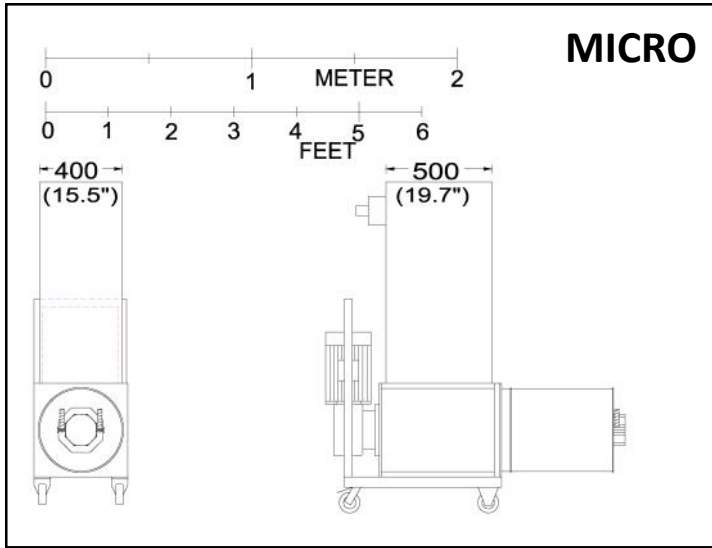
Styropactor MAXI: Compacted pieces stacked on a pallet for easy handling.



Styropactor MICRO 1-PHASE with fish boxes and plastic bags.



Styropactor Maxi with ramp pushing it directly into a container.



Also available for PE-foam. ▲



Only 30 minutes  
from the  
international  
airport in  
Copenhagen  
**CPH**

