

# Technical Data Sheet

## CONNECTORS



### QUICK-CLAMP COMBI

Quick-clamp COMBI / Schnellkupplung COMBI / Accouplement rapide COMBI / Abrazadera rápida COMBI

Hose/Schlauch/Tuyau/Manguera:

20mm, 22mm(7/8") / 25mm(1") / 30mm / 32mm(1 1/4")

#### COMPLETE SET 1" THREAD

	Item No.
20mm	10932.00
22mm	10907.00
25mm	10908.00
30mm	10942.00
32mm	10909.00



#### COMPLETE SET M24X2MM THREAD

	Item No.
20mm	10931.00
22mm	10901.00
25mm	10903.00
30mm	10941.00
32mm	10905.00



#### COMPLETE SET Ø22 SMOOTH

	Item No.
20mm	10930.00
22mm	10900.00
25mm	10902.00
30mm	10940.00
32mm	10904.00



#### QUICK-CLAMP FEMALE PART

	Item No.
1" thread	10911.00
M24X2MM thread	10913.00
Smooth Ø22mm	10912.00



#### QUICK-CLAMP MALE PART

	Item No.
20mm	10915.00
22mm	10914.00
25mm	10916.00
30mm	10917.00
32mm	10918.00



#### QUICK-CLAMP O-RING

19914.00

#### QUICK-CLAMP SPRING

10910.00



### QUICK-CLAMP MULTI

Quick-clamp MULTI EPS/EPP  
Schnellkupplung MULTI EPS/EPP  
Accouplement rapide MULTI PSE/PPE  
Abrazadera rápida MULTI EPS/EPP

#### COMPLETE SET 1" THREAD

	Item No.
22mm (7/8")	11931.00
25mm (1")	11933.00
32mm (1 1/4")	11935.00



#### COMPLETE SET M24X2MM THREAD

	Item No.
22mm (7/8")	11930.00
25mm (1")	11932.00
32mm (1 1/4")	11934.00



#### QUICK-CLAMP MULTI FEMALE PART

	Item No.
1" thread	11941.00
M24X2MM thread	11940.00



#### QUICK-CLAMP MULTI MALE PART

	Item No.
22mm (7/8")	11942.00
25mm (1")	11944.00
32mm (1 1/4")	11946.00



#### Parts for MULTI QUICK CLAMP

19914.00		11950.00	
11954.00			
16500.00		11952.00	



KBM APS | VOELUNDSVEJ 13 | 3400 HILLEROED | DENMARK

Phone +45 4826 8090 / [www.kbm.dk](http://www.kbm.dk) / [kbm@kbm.dk](mailto:kbm@kbm.dk)

KBM ApS guarantees that the product meets the specification above. The keeping, handling and use of the products are beyond the control of KBM ApS, and therefore shall not invoke any responsibility of the company. This TD substitutes and deletes all previous versions.



# Technical Data Sheet

# CONNECTORS & SEALS



## QUICK-CLAMP TURBO/COMBI (T/C) EPS/EPP

Schnellkupplung T/C EPS/EPP  
Accouplement rapide T/C PSE/PPE  
Abrazadera rápida T/C EPS/EPP

COMPLETE SET 1" THREAD	Item No.
22mm (7/8")	11901.00
25mm (1")	11903.00
32mm (1 1/4")	11905.00



COMPLETE SET M24X2MM THREAD	Item No.
22mm (7/8")	11900.00
25mm (1")	11902.00
32mm (1 1/4")	11904.00



QUICK-CLAMP T/C FEMALE PART	Item No.
3/4" Thread	11912.00
1" thread	11919.00



QUICK-CLAMP T/C MALE PART	Item No.
19 - 22mm	11913.00
25mm	11914.00
32mm	11916.00



HOSE CAP	Item No.
	11917.00



CONNECTOR FOR HOSE	Item No.
	11910.00



SEAL FOR T/C QUICK CLAMP	Item No.
(Fits on both hose stub and the part with 3/4")	11920.00



## SEALS

Dichtungen  
Joint spies  
Sellos

U-Seals Brown / Nutringe Braun / Joints spies marrons / Sellos de-U marron item 2	Item No.
---	----------

Injektorking Vario EPS + Vario EPS POWER 16mm	15200.00
Injektorking Vario EPS POWER 18mm	15206.00
Injektorking Vario EPS + Vario EPS POWER 20mm	15202.00



U-Seals Black / Nutringe Schwarz / Joints spies noirs / Sellos de-U negro item 2	Item No.
--	----------

Injektorking Vario Turbo/Combi 16mm	15250.00
Injektorking Vario EPS 20mm	15252.00
Injektorking Vario POWER 18mm	15257.00



### Item 32 Injektorking LS:

Injektorking LS 16mm	18200.00
Injektorking LS 12mm + injektorking Vario 12mm	18205.00
Injektorking LS 10mm	18210.00
Injektorking LS 8mm	18215.00



### Piston seal / Kolbendichtung / Joint de piston / Junta de piston item 17:

Double-lip seal (blue or black) / Dobbelmanchette (Blau oder Schwarz) / Manchon (bleu ou noir) / Juntas de labio doble (azur o negro)	16700.00
---	----------



### Bushing seal / Buchse Dichtung / Coussinets joints / Buje Sello Item 39 Injektorking LS:

16mm	18922.00
12mm	18928.00
10mm	18930.00
8mm	18920.00



## AIR FITTINGS



INJEKTORKING VARIO EPS+LS	Item No.
Filling/Füllen/Remplissant/Relleno 1/4" 8/6mm	19900.00
Closing/Schließen/Fermé/Cerrado 1/4" 6/4mm	19902.00
1/4" 8/5mm	19900.00

INJEKTORKING VARIO TURBO/COMBI + VARIO EPS POWER (+LS)	Item No.
Filling/Füllen/Remplissant/Relleno 3/8" 8/6mm	19903.00
3/8" 10/8mm	19905.00
3/8" 12/10mm	19904.00
Closing/Schließen/Fermé/Cerrado 1/4" 6/4mm	19902.00
1/4" 8/5mm	19900.00

CONVERTER 3/8" => 1/4"	Item No.
	19932.00



KBM APS | VOELUNDSVEJ 13 | 3400 HILLEROED | DENMARK

Phone +45 4826 8090 / www.kbm.dk / kbm@kbm.dk

KBM ApS guarantees that the product meets the specification above. The keeping, handling and use of the products are beyond the control of KBM ApS, and therefore shall not invoke any responsibility of the company. This TD substitutes and deletes all previous versions.



# Technical Data Sheet

## CLAMP RINGS

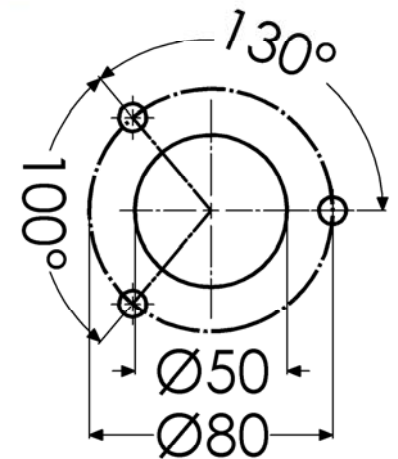
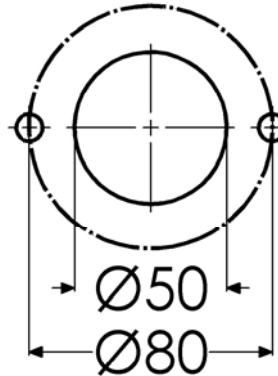
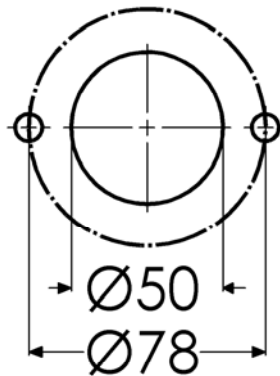
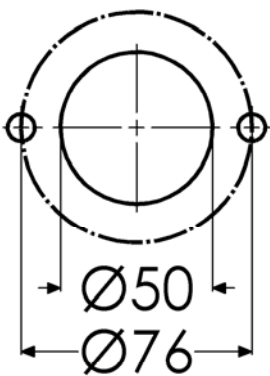


### TYPE COMBI 50MM WITH X-RING

Typ Combi 50mm with /avec/con X-ring  
 2 holes /Bohrungen/trous/orificios 76mm, 78mm & 80mm

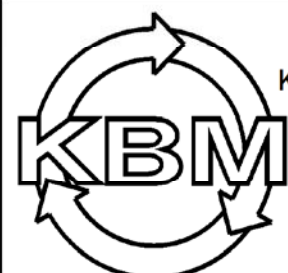
3 holes /Bohrungen/trous/orificios like/wie/comme/como Kurtz.

	Item No.
Type Combi 50mm	12604.00
O-ring	12652.00



### HOSE-STUBS

Hose-stub (pipe) 22mm fits in Ø22mm and M24x2mm Item No. 16200.00	Reduction 1" => M24x2mm Item No. 16245.00	Reduction 1" => 3/4" Item No. 16240.00	Hose-stub 25mm/1" - Item No. 16220.00 30mm/1" - Item No. 16223.00 32mm/1" - Item No. 16225.00
---	---	--	---



KBM APS | VOELUNDSVEJ 13 | 3400 HILLEROED | DENMARK  
 Phone +45 4826 8090 / [www.kbm.dk](http://www.kbm.dk) / [kbm@kbm.dk](mailto:kbm@kbm.dk)

KBM ApS guarantees that the product meets the specification above. The keeping, handling and use of the products are beyond the control of KBM ApS, and therefore shall not invoke any responsibility of the company. This TD substitutes and deletes all previous versions.





# Technical Data Sheet

## CLAMP RINGS



### TYPE 42+40MM COMBI WITH X-RING

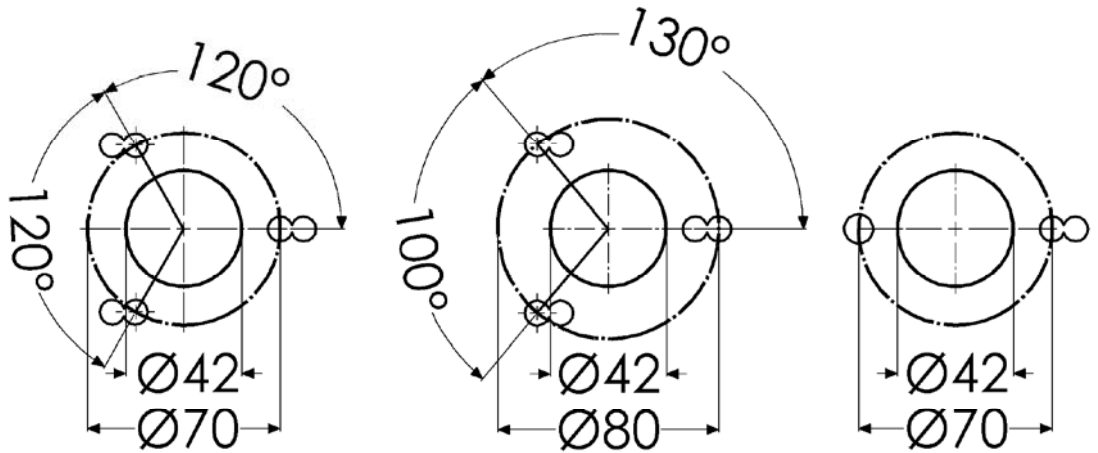
Typ 42mm Combi with /avec/con X-ring  
2 holes /Bohrungen/trous/orificios 70mm

3 holes /Bohrungen/trous/orificios 70mm  
like/wie/comme/como Kurtz.



	Item No.
Type 42mm Combi	12404.00
Type 40 mm Combi	12306.00
X-Ring for type 40+42 mm	12352.00

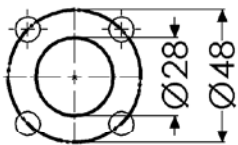
Converter  
42mm => 40mm  
Item No. 12308



### TYPE 28/4 = 28mm WITH 4 HOLES

Type 28/4 = 28mm with 4 holes / mit 4 Bohrungen / avec 4 trou / con 4 orificios

Complete set 28mm



Item No. Can cover holes up to Ø32mm

Kann Löcher bis zu Ø32mm abdecken

Peut couverture des trous jusqu'à Ø32mm

Puede tapa agujeros de hasta 32mm

28x4mm  
Item no. 12104.00



32x3mm  
Item no. 12102.00



KBM APS | VOELUNDSVEJ 13 | 3400 HILLEROED | DENMARK

Phone +45 4826 8090 / [www.kbm.dk](http://www.kbm.dk) / [kbm@kbm.dk](mailto:kbm@kbm.dk)

KBM ApS guarantees that the product meets the specification above. The keeping, handling and use of the products are beyond the control of KBM ApS, and therefore shall not invoke any responsibility of the company. This TD substitutes and deletes all previous versions.

